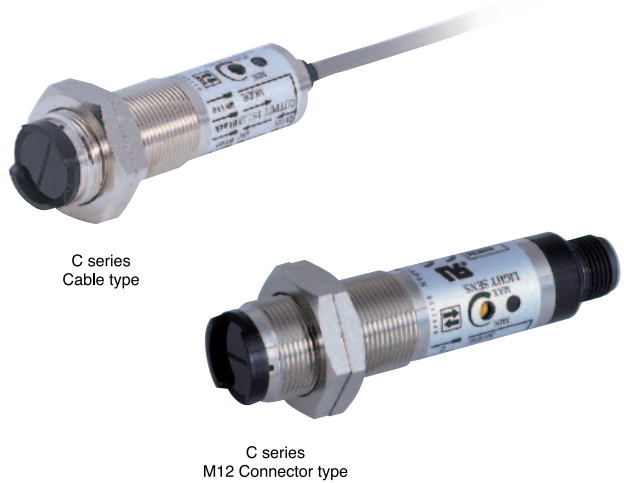


M18mm Cylindrical Photoelectric Sensor

C series

Vibration resistance with full injection of epoxy filled inside the metal-armed body,

- Through-beam type
CTD-1500 : 15m
- Retro-reflection type
CRD-300 : 0.05~3m
- Retro-reflection type (with built-in polarizing filter)
CTDF-100 : 0.05~1m
- Diffused reflection type
CDD-11 : 11m
- Diffused reflection type (long range detection)
CDD-40 : 40cm
- Connector versions are available for NPN / PNP type



Features

Durable metallic body, tough to vibration

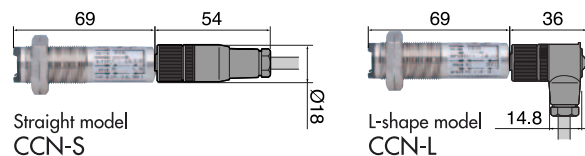
Much superior to plastic bodies in terms of durability and resistance to chemicals, oils, and environmental vibrations. Can be used in severe conditions, and the screw thread is not easily in intrusion.

Beam axis can be bent 90° with a sideon attachment (optional)



Sense mirror-like and shiny surfaces with CRDF retro-reflection type with built-in polarizing filter

Straight and L-shape connectors as options



Sensor models

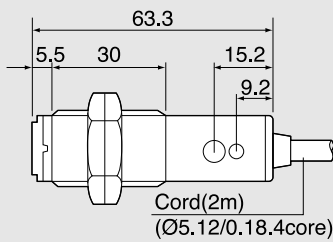
Model	Detecting distance	Type	Output	Model number
Through-beam type [15m] CTD-1500	15m	Direct cording	NPN	CTD-1500N
		Plug-in connector	PNP	CTD-1500P
Retro-reflection type [3m] CRD-300	3m		Direct cording	NPN
		Plug-in connector	PNP	CRD-300P
Retro-reflection type [1m] (with built-in polarizing filter) CTDF-100	1m		Direct cording	NPN
		Plug-in connector	PNP	CRDF-100P
Retro-reflection type [11cm] CDD-11	11cm		Direct cording	NPN
		Plug-in connector	PNP	CDD-11P
Diffused reflection type [40cm] (long range detection) CDD-40	40cm		Direct cording	NPN
		Plug-in connector	PNP	CDD-40P
				NPN
			PNP	CDD-40CP

Specifications

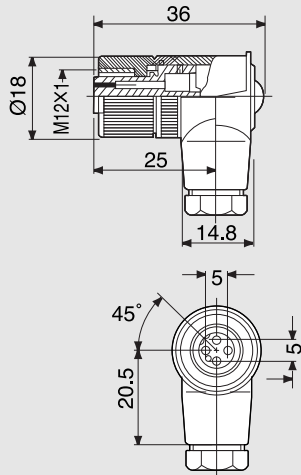
Model	Through-beam	Retro-reflection	Retro-reflection w / Polarizing filter	Diffused reflection 11cm	Diffused reflection 40cm
Cable type NPN/PNP	CTD-1500N / 1500P	CRD-300N / 300P	CRDF-100N/100P	CDD-11N / 11P	CDD-40N / 40P
M8 connector type NPN/PNP	CTD-1500CN / 1500CP	CRD-300CN / 300CP	CRDF-100CN/100CP	CDD-11CN / 11CP	CDD-40CN / 40CP
Sensing range	15 m	3 m	1 m	11 cm	40 cm
Response time	1.5msec Max				
Operation Mode	Light ON/Dark ON switchover				
Hysteresis	NIL			10% Max	
Light source	Infrared		Red	Infrared	
Control output	NPN or PNP Open collector, 100mA Max / 30V DC				
Supply voltage	10 to 30 V DC including 10% of ripple				
Conformity	JIS/C4525, CE, UL				
Power consumption	40mA Max	30mA Max			30 mA
Ambient Temp/Humid	-25 to 55 °C / 35 to 85% RH				
Sensitivity adjustment	Single turn potentiometer				
Protection category	IEC 144 IP66				
Shock resistance	50G(500m/S ²),X-Y-Z axis 3 times				
Housing Material	BSBM + Ni(Case), PC(Lens)				

Dimensions

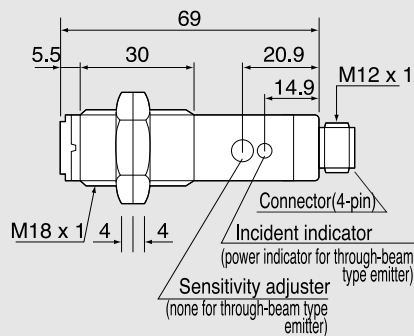
●Head ON type



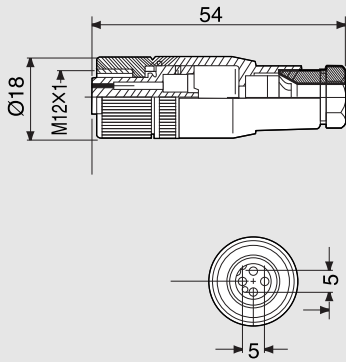
●L-shaped plug-in connector CCN-L



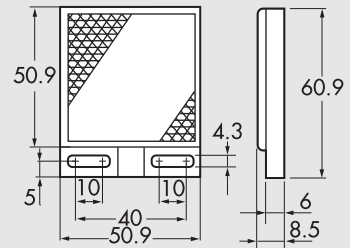
●Side ON type



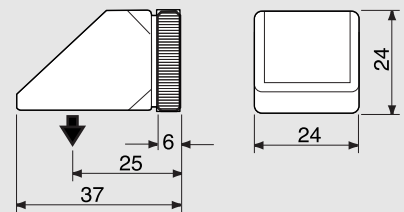
●Standard plug-in connector CCN-S



●Standard reflector V-61

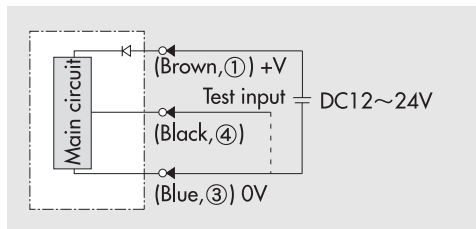


●Side-on attachment T000, T110, T400



Unit : mm

Connection diagram



When the black lead line of the emitter is connected to 0V, an interrupted state is created electrically.

*Technical data, specsheet, instruction manual and this catalogue is available for download. Visit our Website ; <http://www.optex-fa.com>
For technical support please call our authorized distributor in your country that is also listed in our Website.