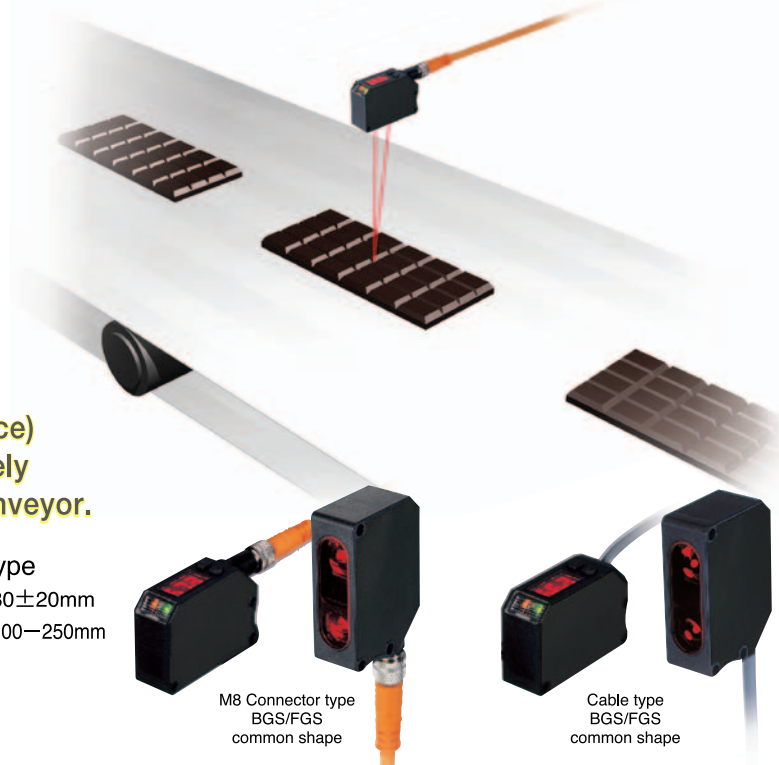


For thin and / or flat substance
on a vibrating conveyor

FGS-D series

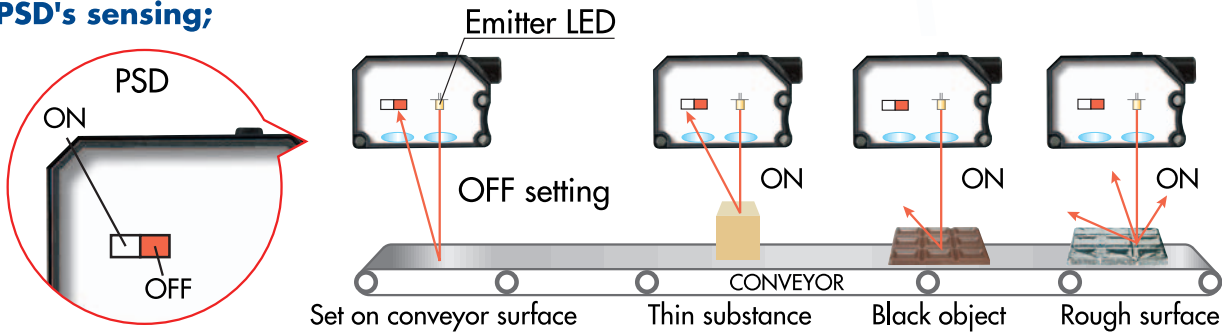
High-grade PSD (Position Sensing Device)
implemented in a compact body precisely
detects thin substance on a running conveyor.

- Cable type
FGS-D10N(P) : 80±20mm
FGS-D25N(P) : 100—250mm
- M8 Connector type
FGS-D10CN(P) : 80±20mm
FGS-D25CN(P) : 100—250mm



Features

FGS(Foreground Suppression) **successfully detects rough and black surface because of PSD's sensing;**



Mechanical toughness tested to 100G shock resistance.

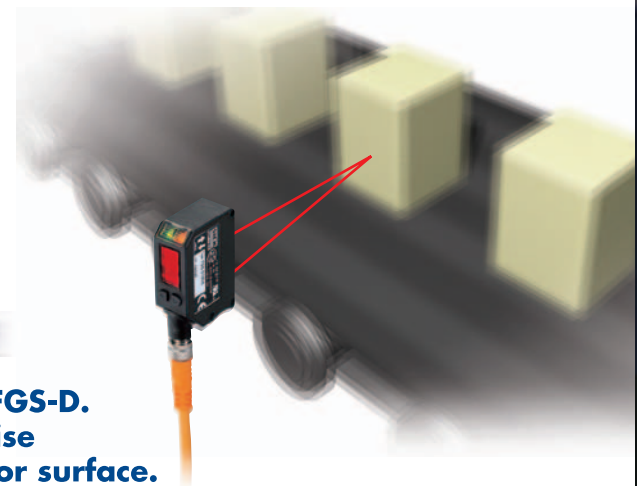
Unaffected by color and / or surface

BGS-D series

- Cable type
BGS-D10N(P) : 50—100mm
BGS-D30N(P) : 100—300mm
- Connector type
BGS-D10CN(P) : 50—100mm
BGS-D30CN(P) : 100—300mm

Features

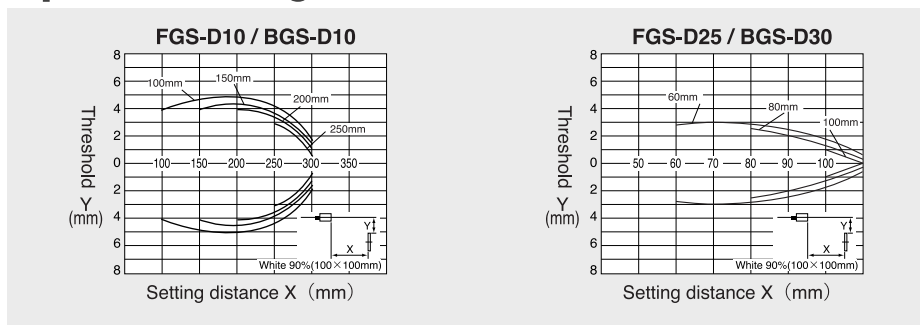
BGS-D approaches in other optical way than FGS-D. As all the product of OPTEX's BGS family, precise detection is possible unaffected by color and/or surface.



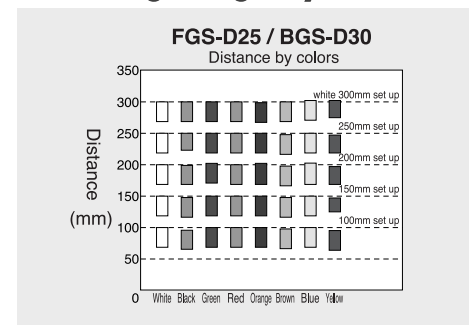
Specifications

| | FGS - D series | | BGS - D series | |
|---------------------------|--|---------------------------|---------------------------|---------------------------|
| | 100mm distance | 250mm distance | 100mm distance | 300mm distance |
| Cable type NPN/PNP | FGS - D10N / FGS - D10P | FGS - D25N / FGS - D25P | BGS - D10N / BGS - D10P | BGS - D30N / BGS - D30P |
| M8 connector type NPN/PNP | FGS - D10CN / FGS - D10CP | FGS - D25CN / FGS - D25CP | BGS - D10CN / BGS - D10CP | BGS - D30CN / BGS - D30CP |
| Spot size | Ø4mm at 100mm | Ø11mm at 300mm | Ø4mm at 100mm | Ø11mm at 300mm |
| Sensing range | 80 ± 20 mm | 100 - 250 mm | 50 - 100 mm | 100 - 300 mm |
| Light source | Red | | | |
| Response time | 2.5 msec Max | | | |
| Sensitivity adjustment | Digital setting | | | |
| Hysteresis | 3% Max | 10% Max | 3% Max | 10% Max |
| Numerical display | (1)Threshold(2)Distance | | | |
| Indicator | Output active(Orange), Stable status(Green) | | | |
| Control output | NPN or PNP Open collector, 100mA Max / 30V DC | | | |
| Operation Mode | Light ON/Dark ON switchover | | | |
| Supply voltage | 10 to 30 V DC including 10% of ripple | | | |
| Power consumption | 60mA / 10V, 25mA / 30V | | | |
| Circuit protection | Reverse Polarity, Short Circuit | | | |
| Timer | 0 - 10 sec | | | |
| Noise resistance | Radiation:EN60947-5-2, Immunity:EN60947-5-2 | | | |
| Conformity | JIS, UL, CE, VDE(Class 3) | | | |
| Ambient Temp/Humid | Operation(-25 to 55 °C, 35-85% RH), Storage(-40 to 70 °C, 35-95% RH) | | | |
| Environment illuminance | Sunlight:10,000lux max., Incandescent lamp:3,000 lux max. | | | |
| Vibration resistance | 10 50 55 Hz amplitude 1.5mm, X-Y-Z for 2 hours | | | |
| Shock resistance | 100G(1,000m/S ²),X-Y-Z axis 3times | | | |
| Protection category | IP67 | | | |
| Option | (1)Teach-in type(2)Additional long cable 5 meter | | | |

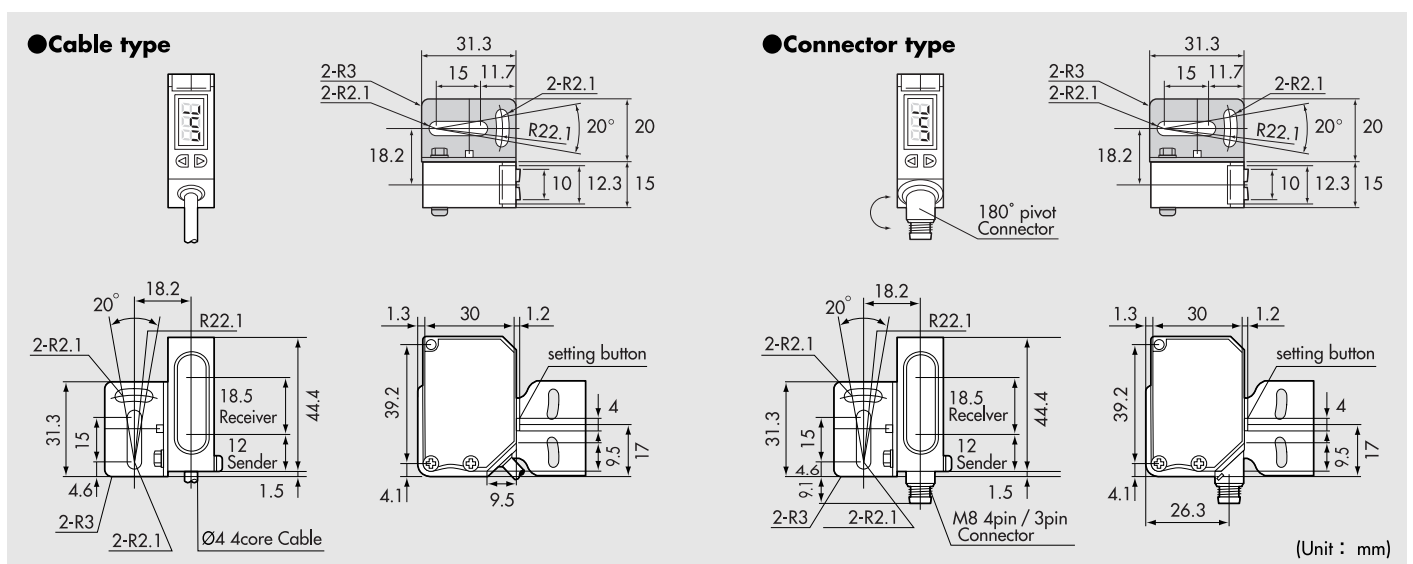
Operation range



Scanning range by material



Dimensions



*Technical date, specsheet, instruction manual and this catalogue is available for download. Visit our Website ; <http://www.optex-fa.com>
For technical support please call our authorized distributor in your country that is also listed in our Website.